

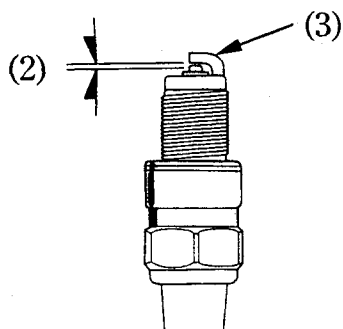
3. Visually inspect the spark plug electrodes for wear. The center electrode should have square edges and the side electrode should not be eroded.

Discard the spark plug if there is apparent wear or if the insulator is cracked or chipped.

4. Check the spark plug gap (2) using a wire-type feeler gauge. If adjustment is necessary, bend the side electrode (3) carefully.

The gap should be:

0.6–0.7 mm (0.02–0.03 in)



- (2) Spark plug gap
- (3) Side electrode

5. Make sure the plug washer is in good condition.
6. With the plug washer attached, thread the spark plug in by hand to prevent cross-threading.
7. Tighten a new spark plug 1/2 turn with a spark plug wrench to compress the washer. If you are reusing a plug, it should only take 1/8–1/4 turn after the plug seats.

NOTICE

The spark plug must be securely tightened. An improperly tightened plug can become very hot and possibly damage the engine.

8. Reinstall the spark plug cap.