

10. Raise the rear wheel off the ground by placing a support block under the engine.

11. Measure the spring length (15).  
Standard spring length is:

212.3 mm (8.36 in)

12. Adjust the spring length.

- To increase spring preload:

Loosen the lock nut (16) with the optional pin spanner and turn the adjusting nut (17) to shorten the spring length. Do not shorten to less than:

205.3 mm (8.08 in)

- To decrease spring preload:

Loosen the lock nut (16) and turn the adjusting nut (17) to increase the spring length. Do not increase to more than:

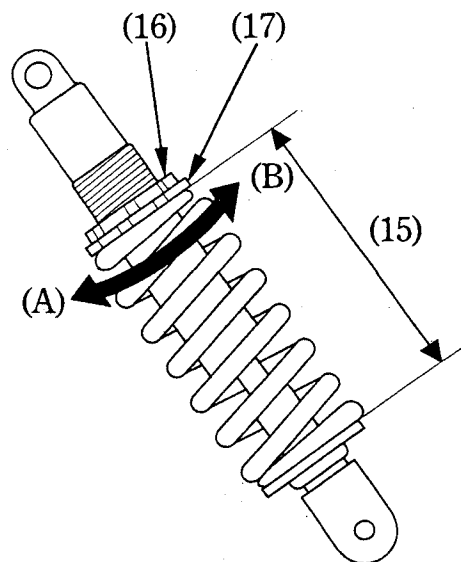
216.3 mm (8.52 in)

Each turn of the adjuster changes spring length and spring preload.

One turn equals: spring length/spring preload

1.5 mm (0.06 in) / 15.0 kg (33.1 lbs)

13. Tighten the lock nut.



(15) Spring length

(16) Lock nut

(17) Adjusting nut

(A) Increase Preload

(B) Decrease Preload