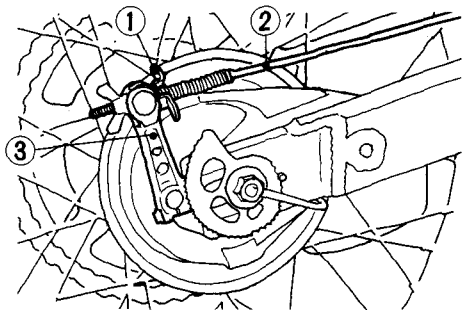


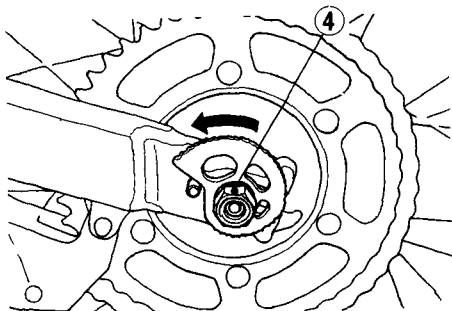
## Rear Wheel Removal

1. Raise the rear wheel off the ground by placing a support under the engine.
2. Pull the brake arm pin holder (1) forward and lift the brake rod (2) up to disconnect it from the rear brake arm (3).
3. Loosen the rear axle nut (4) while holding the axle.



- (1) Brake arm pin holder      (3) Brake arm  
(2) Brake rod

4. Turn both the adjusters so that the rear wheel can be moved all the way forward for maximum drive chain slack.
5. Move the rear wheel forward. Derail the drive chain from the driven sprocket.
6. Remove the rear wheel with the rear axle.



- (4) Axle nut