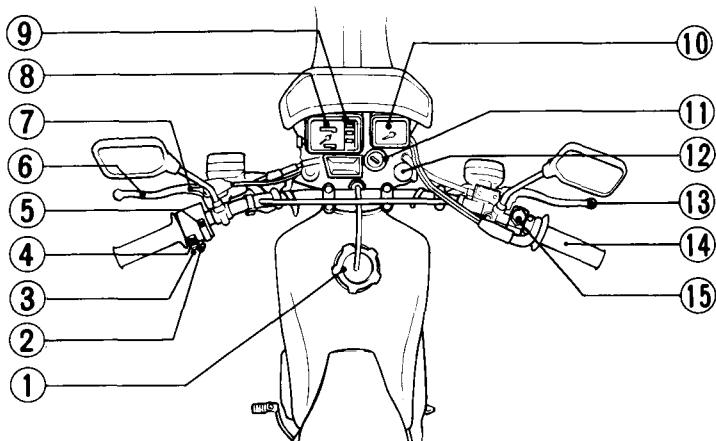


EQUIPMENT AND CONTROLS

Control Location



- (1) Fuel tank cap
- (2) Turn signal switch
- (3) Horn button
- (4) Headlight switch
- (5) Headlight dimmer switch

- (6) Clutch lever
- (7) Choke lever
- (8) Speedometer
- (9) Warning lights and indicators
- (10) Tachometer

- (11) Ignition switch
- (12) Air valve cap
- (13) Front brake lever
- (14) Throttle grip
- (15) Engine stop switch