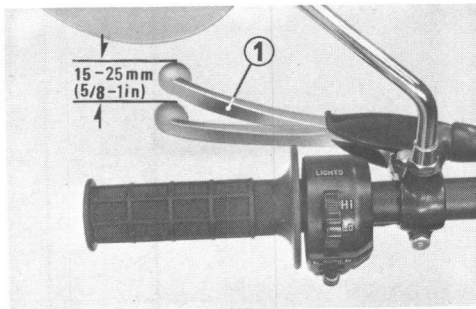


Clutch

Clutch adjustment may be required if the motorcycle stalls when shifting into gear, or tends to creep; or if the clutch slips, causing acceleration to lag behind engine speed.

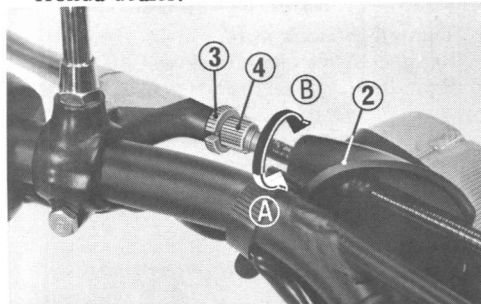
Normal clutch lever free play is 15–25mm (5/8–1 in) at the lever (1).

1. Remove the dust cover (2). Loosen the lock nut (3) and turn the clutch cable adjuster (4) in or out, as required to obtain the specified free play.



(1) Clutch lever

2. Tighten the lock nut (3), and check adjustment. Start the engine, pull in the clutch lever and shift into gear. Make sure that the engine does not stall, and the motorcycle does not creep. Gradually release the clutch lever and open the throttle. The motorcycle should start smoothly and accelerate gradually.
3. If proper adjustment can not be obtained by this method, see your authorized Honda dealer.



(2) Dust cover (A) Decrease free play
(3) Lock nut (B) Increase free play
(4) Clutch cable adjuster