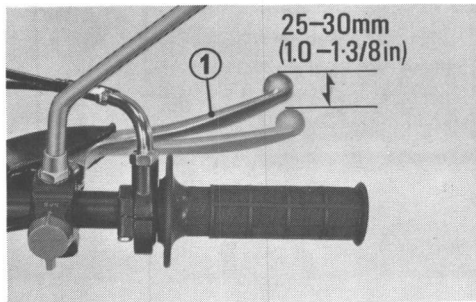


Front Brake

Adjustment:

1. Measure the distance the front brake lever (1) moves before the brake starts to take hold. The lever free play should be 25–30mm (1.0–1-3/8 in) at the tip of the brake lever.
2. Minor adjustment can be made with the cable adjuster on the front brake lever. Remove the dust cover (2). Loosen the lock nut (3) and turn the front brake cable adjuster (4). Tighten the lock nut.

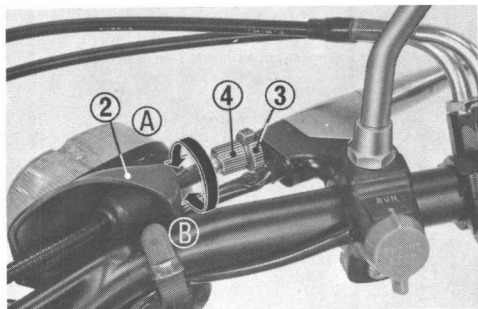


(1) Front brake lever

If proper adjustment can not be obtained by this method, see your authorized Honda dealer.

Other Checks:

Make sure that the brake cable, brake arm, spring and fasteners are in good condition.



- (2) Dust cover (A) Decrease free play
(3) Lock nut (B) Increase free play
(4) Front brake cable adjuster