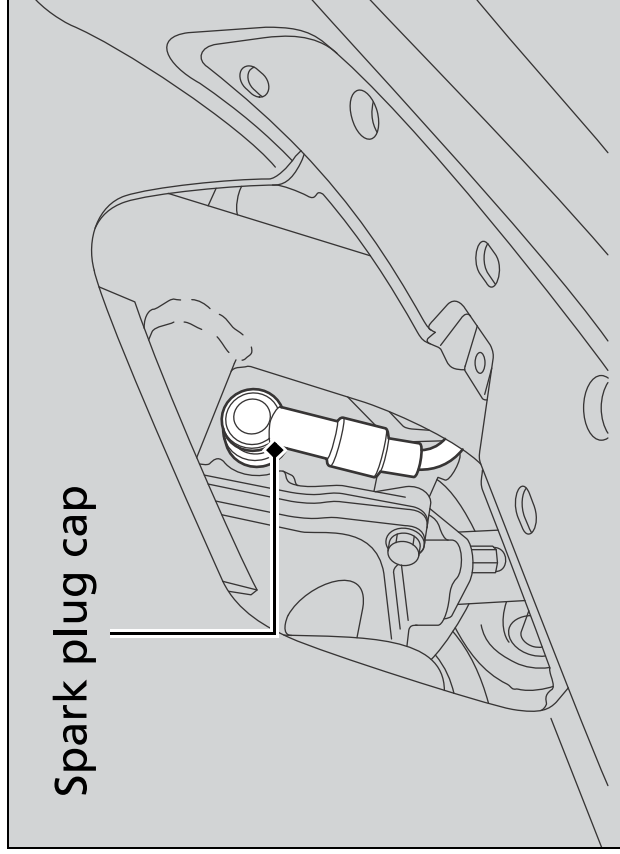


## Spark Plug ► Changing Spark Plug

5. Disconnect the spark plug cap.
6. Clean any dirt from around the spark plug base.
7. Remove the spark plug using the spark plug wrench provided in the tool kit.



8. Install the new spark plug.

9. With the plug washer attached, thread the spark plug in by hand to prevent cross-threading.

### 10. Tighten the spark plug:

- If the old plug is good:
  - 1/8 turn after it seats
- If installing a new plug, tighten it twice to prevent loosening:
  - a) First, tighten the plug:
    - NGK: 1/2 turn after it seats.
  - b) Then loosen the plug.
  - c) Next, tighten the plug again:
    - 1/8 turn after it seats.

### NOTICE

Improperly tightened spark plug can damage the engine. If a plug is too loose, a piston may be damaged. If a plug is too tight, the threads may be damaged.