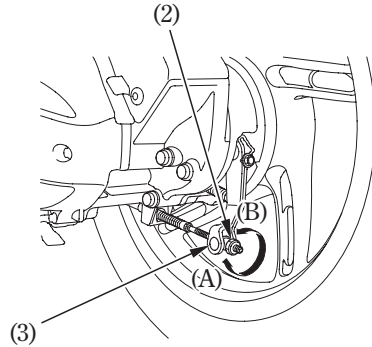




3. If adjustment is necessary, turn the rear brake adjusting nut (2).

Adjust by turning the rear brake adjusting nut a half-turn at a time. Make sure the cut-out on the adjusting nut is seated on the brake arm pin (3) after making final freeplay adjustment.



4. Apply the brake several times and check for free wheel rotation after the brake lever is released.

If proper adjustment cannot be obtained by this method, see your Honda dealer.

- (2) Rear brake adjusting nut
- (3) Brake arm pin

- (A) Decrease freeplay
- (B) Increase freeplay

