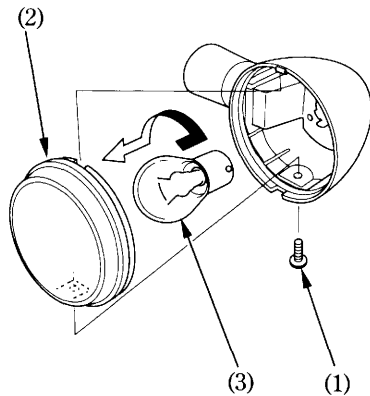


Front/Rear Turn Signal Bulb

1. Remove the screw (1).
2. Remove the turn signal lens (2).
3. Remove the bulb (3) by pressing in and turning counterclockwise.
4. Install a new bulb and check that the light operates properly.



- (1) Screw
- (2) Turn signal lens
- (3) Bulb