

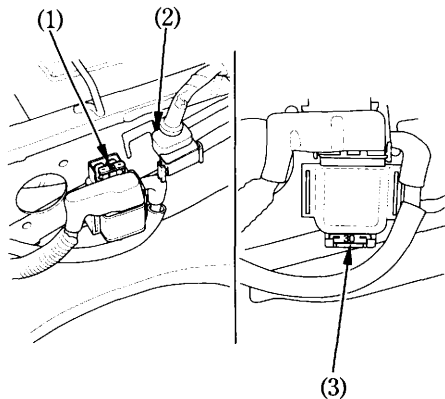
Main fuse:

The main fuse (1) is located behind the rear cowl.

The specified fuse is:

**30A**

1. Remove the rear cowl (page 45).
2. Disconnect the wire connector (2) of the starter magnetic switch.
3. Pull out the old fuse and install a new fuse.  
The spare fuse (3) is located under the starter magnetic switch.
4. Reconnect the connector and install the rear cowl.



- (1) Main fuse  
(2) Wire connector

- (3) Spare fuse