

## SPARK PLUGS

(Refer to the maintenance precautions on page 65).

Recommended plugs:  
DPR9EVX-9 (NGK)

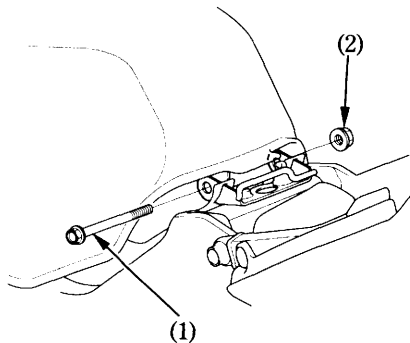
This motorcycle uses the spark plugs that have a platinum coated center electrode. Be sure to observe the following when servicing the spark plugs.

- Do not use wire brush to clean the electrodes. If the electrode is contaminated with accumulated objects or dirt, clean the electrode using a “plug cleaner”.

Consult your authorized Honda dealer for this service.

- Use only “wire-type feeler gauge” to check the spark plug gap to prevent damaging the platinum coating of the center electrodes. Never use “leaf-type feeler gauge”.
- Do not adjust the spark plug gap. If the gap is out of specification, replace the spark plug with a new one.

1. To remove the spark plug from the rear cylinder, remove the seat (page 40).
2. Remove the rear bolt (1) and nut (2).



- (1) Bolt  
(2) Nut