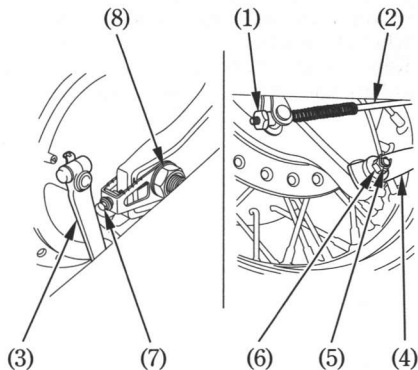


Rear Wheel Removal

1. Raise the rear wheel off the ground by placing a support block under the engine.
2. Remove the rear brake adjusting nut (1), disconnect the brake rod (2) from the brake arm (3) by pushing down on the rear brake pedal.
3. Disconnect the brake stopper arm (4) from the brake panel by removing the cotter pin (5), stopper arm nut (6), washer and rubber grommet.
4. Loosen the drive chain adjusting bolts (7).
5. Remove the rear axle nut (8).



(1) Rear brake adjusting
nut

(2) Brake rod

(3) Brake arm

(4) Brake stopper arm

(5) Cotter pin

(6) Stopper arm nut

(7) Drive chain
adjusting bolt

(8) Rear axle nut