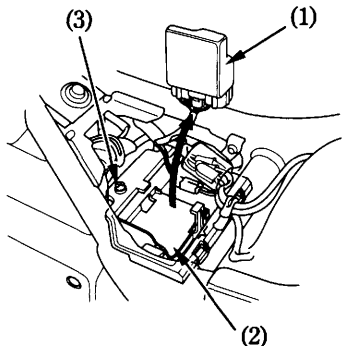


Battery Removal

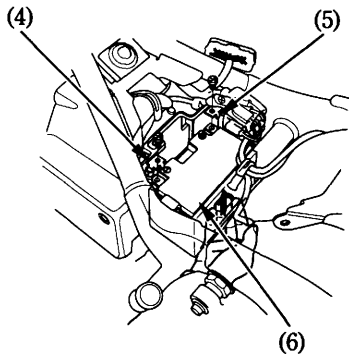
The battery (6) is in the battery box below the seat.

1. Remove the seat (page 40).
2. Remove the spark unit (1).
3. Remove the battery cover (2) by removing the screw (3).



- (1) Spark unit
- (2) Battery cover
- (3) Screw

4. Disconnect the negative (-) terminal lead (4) from the battery first, then disconnect the positive (+) terminal lead (5).
5. Pull out the battery (6) from the battery box.



- (4) Negative (-) terminal lead
- (5) Positive (+) terminal lead
- (6) Battery