

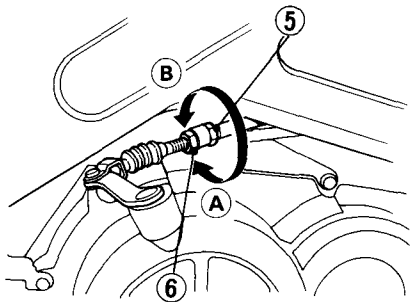
3. At the lower end of the cable, loosen the lock nut (6). Turn the adjusting nut (5) to obtain the specified free play. Tighten the lock nut (6) and check the adjustment.
4. Start the engine, pull in the clutch lever and shift into gear. Make sure the engine does not stall and the motorcycle does not creep. Gradually release the clutch lever and open the throttle. The motorcycle should start smoothly and accelerate gradually.

NOTE:

- * If proper adjustment cannot be obtained or the clutch does not work correctly, see your authorized Honda dealer.

Other Checks:

Check the clutch cable for kinks or signs of wear that could cause sticking or failure. Lubricate the clutch cable with a commercially available cable lubricant to prevent premature wear and corrosion.



- | | |
|-------------------|------------------------|
| (5) Adjusting nut | (A) Increase free play |
| (6) Lock nut | (B) Decrease free play |