

## MAJOR COMPONENTS (Information you need to operate this motorcycle)

### **▲ WARNING**

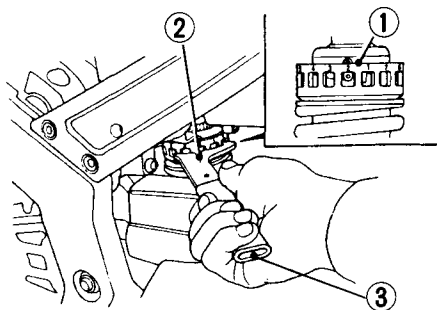
- \* If the Pre-ride Inspection (page 41) is not performed, severe personal injury or vehicle damage may result.

## SUSPENSION

### Rear Suspension

The rear shock absorber has seven adjustment positions for different load or riding conditions. Use the pin spanner and the tool holder in the tool kit to turn the rear shock adjuster.

Position 1 is for light loads and smooth road conditions. Position 2 to 7 increase spring preload for a stiffer rear suspension, and can be used when the motorcycle is heavily loaded.



- (1) Spring preload adjuster
- (2) Pin spanner
- (3) Breaker bar