

FUSE REPLACEMENT

(Refer to maintenance precautions on page 54). The main fuse (1), located near the battery, is 30 A.

The spare main fuse (2) is located under the starter magnetic switch.

The fuse box (4) is located between the handlebars. The specified fuses are 10 A and 15 A.

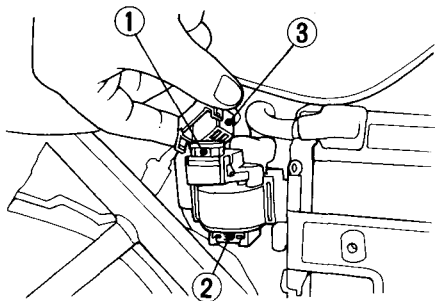
When frequent fuse failure occurs, it usually in-

dicates a short circuit or an overload in the electrical system. See your authorized Honda dealer for repair.

CAUTION:

*** Turn the ignition switch OFF before checking or replacing fuses to prevent accidental short-circuiting.**

To replace the main fuse (1), remove the right side cover, disconnect the wire connector (3) of the stator magnetic switch and pull out the old fuse. Install a new fuse and reconnect the connector.



(1) Main fuse

(2) Spare main fuse

(3) Connector