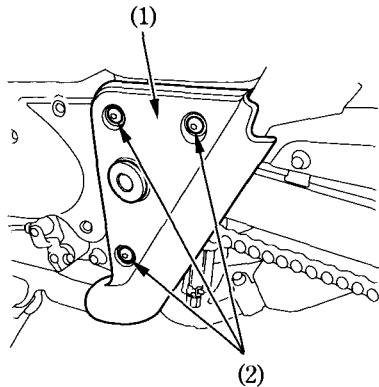


DRIVE CHAIN SLIDER

(Refer to the maintenance precautions on page 55).

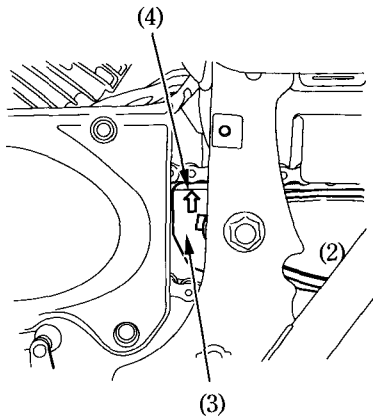
Remove the left pivot plate cover (1) by removing the three bolts (2).



- (1) Left pivot plate cover
- (2) Bolts

Check the chain slider (3) for wear.

The chain slider must be replaced if it is worn to the wear limit line (4). For replacement, see your authorized Honda dealer.



- (3) Chain slider
- (4) Wear limit line