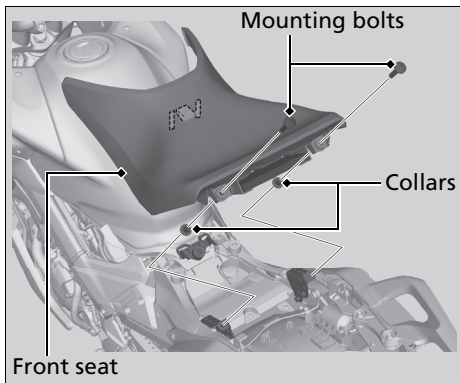


## Removing & Installing Body Components ▶ Front Seat

### Front Seat

#### Removal

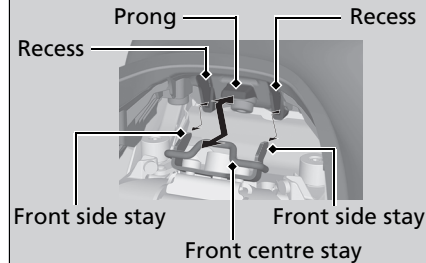


1. Remove the rear seat. ▶ P. 68
2. Remove the mounting bolts and collars, and then pull the front seat back and up.

#### Installation

1. **When setting the high seat position:**  
Install the front seat by aligning its recesses with the front side stays and placing its prong on the front centre stay.

##### High position:



Maintenance

continued 69