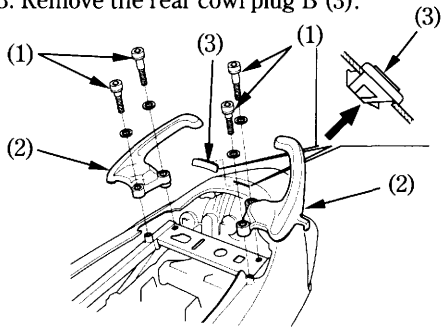


REAR SEAT COVER

See your Honda dealer for installation/removal of the rear seat cover.

Installation:

1. Remove the seat (page 48).
2. Remove the grab rail mounting bolts (1) and grab rails (2).
3. Remove the rear cowl plug B (3).

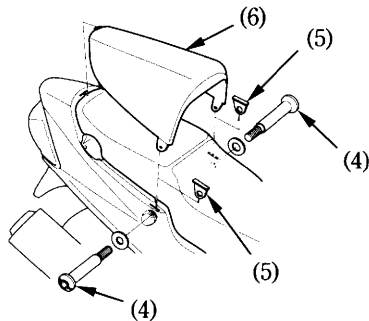


- (1) Grab rail mounting bolts
(2) Grab rails
(3) Rear cowl plug B

4. Remove the bolts (4) and cowl plugs (5).
5. Install the seat securely, then install the rear seat cover (6). Set the bolts (4) and tighten them securely.

▲WARNING

* The grab rails must be returned to position when riding in tandem.



- (4) Bolts
(5) Cowl plugs
(6) Rear seat cover