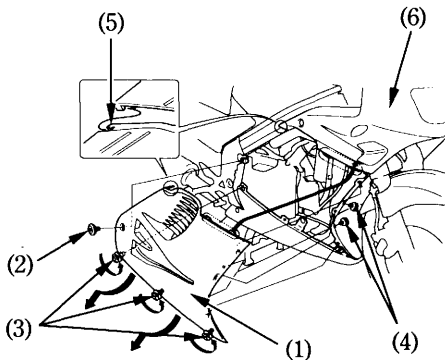


MIDDLE FAIRING

To remove the middle fairing (1), remove the bolt (2), turn the clips (3) 90° counterclockwise, remove the mounting clips (4), and pull the middle fairing out by releasing the tabs (5) from the upper fairing (6).

To install, reverse the removal procedure.



(1) Middle fairing

(2) Bolt

(3) Clips

(4) Mounting clips

(5) Tabs

(6) Upper fairing