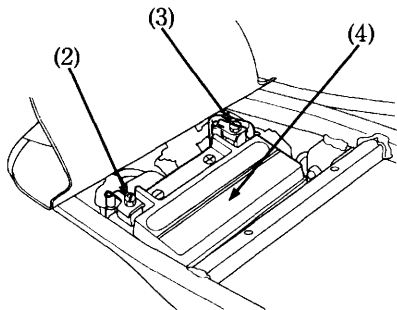


3. Disconnect the negative (-) terminal lead (2) from the battery first, then disconnect the positive (+) terminal lead (3).
4. Pull the battery (4) from the battery box.



- (2) Negative (-) terminal lead
- (3) Positive (+) terminal lead
- (4) Battery