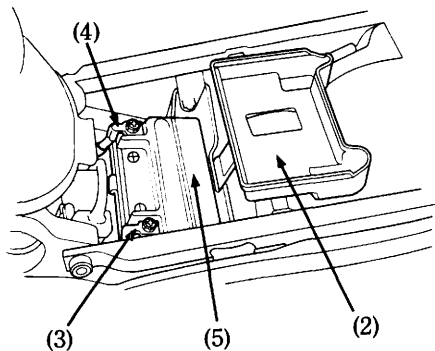


4. Disconnect the negative (-) terminal lead (3) from the battery first, then disconnect the positive (+) terminal lead (4).
5. Pull the battery (5) from the battery box.



- (2) Battery cover
- (3) Negative (-) terminal lead
- (4) Positive (+) terminal lead
- (5) Battery