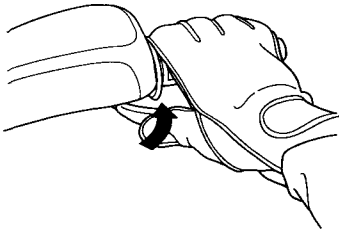


Operating Control

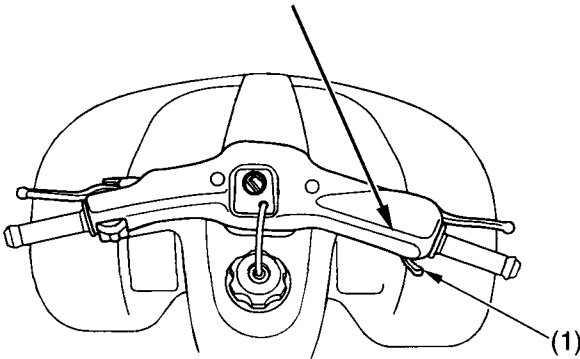
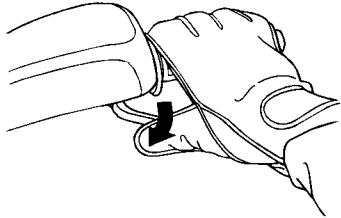
Throttle Lever

The throttle controls engine rpm (speed). To increase engine rpm, press the lever (1) with your thumb. To reduce engine rpm, release pressure on the lever. The throttle will automatically return to the closed position (engine idle) when you remove your thumb.

OPEN



CLOSE



(1) throttle lever