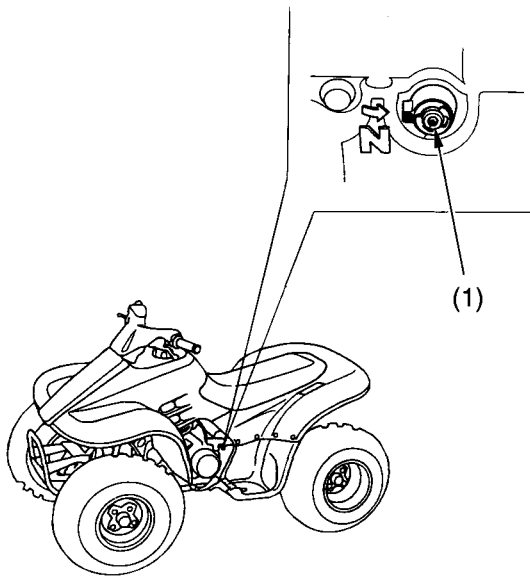


# Indicator

## Neutral Indicator

The neutral indicator is on the left crankcase cover, just behind the recoil starter. This feature enables the rider to verify that the transmission is in neutral before starting the engine.

The indicator rotates as the gears are changed. When the indicator aligns with the N mark on the crankcase, the transmission is in neutral.



(1) neutral indicator