

STARTING THE ENGINE

Preparation

1. Select a level surface and lock the parking brake (page 34) before starting the engine.
2. Turn the fuel valve (1) and ignition switch (2) to ON.
3. Make sure the engine stop switch (3) is at RUN.
4. Make sure that the transmission is in neutral by depressing the gear shift pedal and checking that the neutral indicator (4) is at "N".

The neutral indicator is located a few inches above the left footpeg.

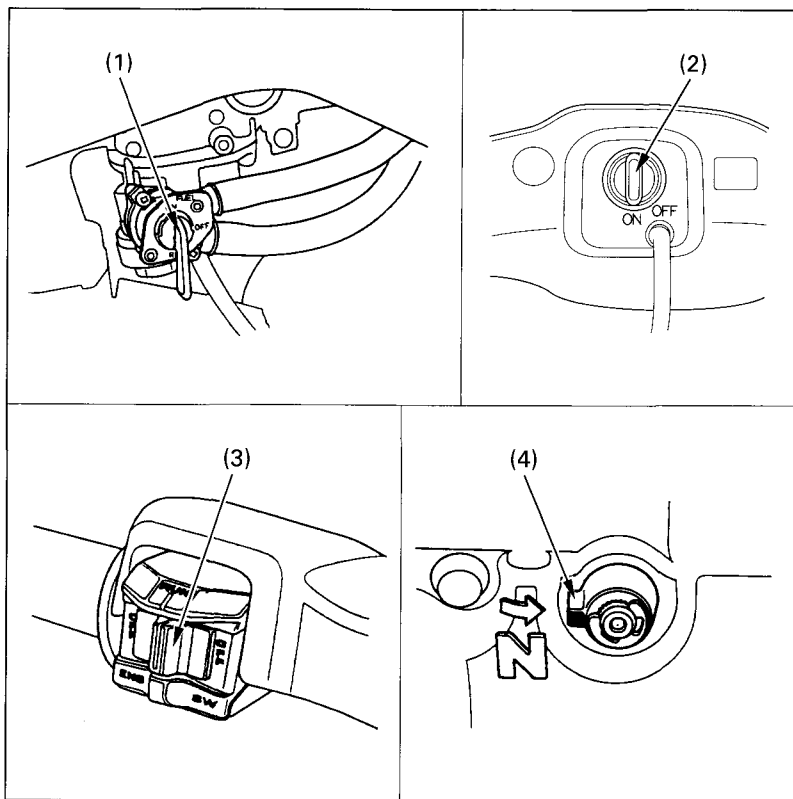


Fig. 3-10

(1) Fuel valve
(2) Ignition switch

(3) Engine stop switch
(4) Neutral indicator