

PARTS OPERATION

POWER CONTROLS

Ignition Switch

The ignition switch (Fig. 2-4) is located in the center of the handlebar cover.

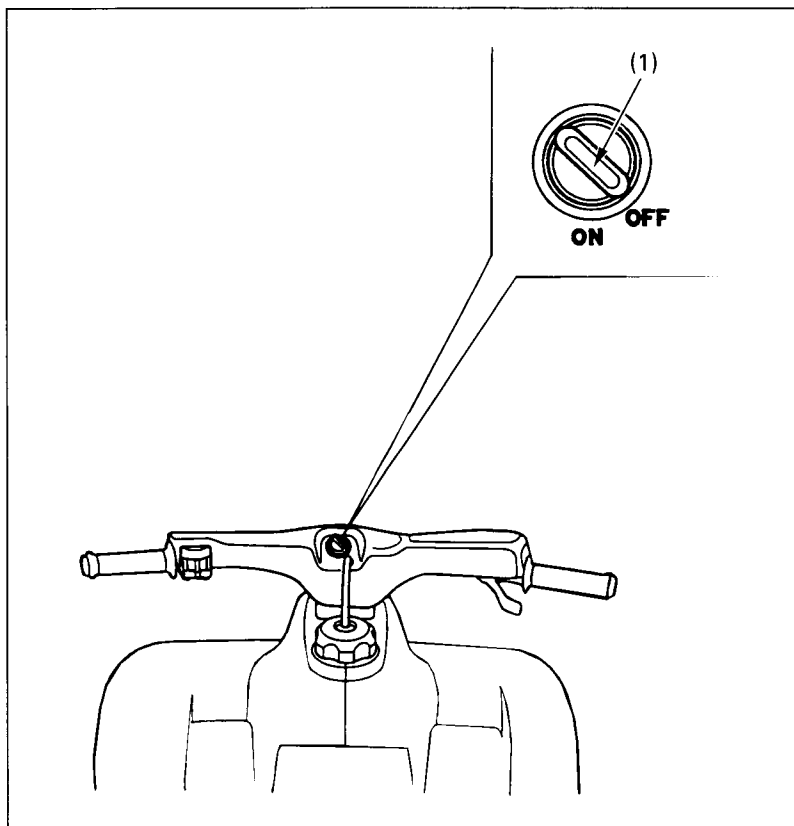


Fig. 2-4

(1) Ignition switch