

PARTS LOCATION AND OPERATION

PARTS LOCATION

- (1) Rear brake lever
Parking brake
- (2) Engine stop switch
- (3) Ignition switch
- (4) Fuel tank cap
- (5) Throttle lever
- (6) Front brake lever

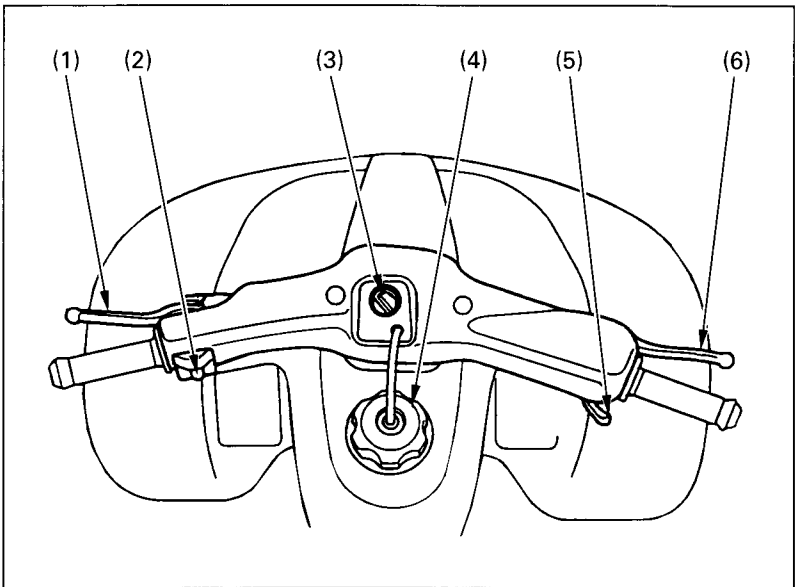


Fig. 2-1

Handlebars, from rider's point of view