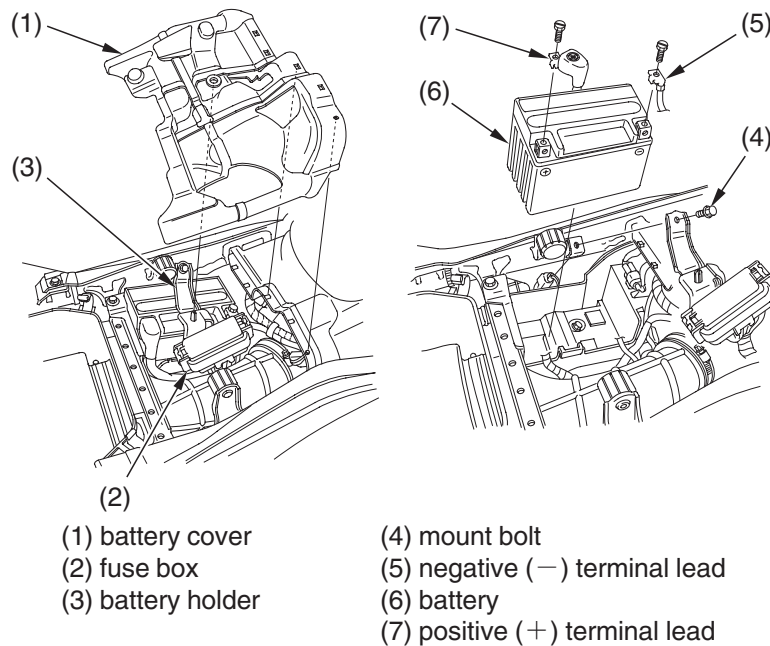




Battery

The battery is located in a compartment under the seat.

UNDER SEAT



Removal

1. Make sure the ignition switch is OFF (\circ).
2. Remove the seat (page 88).
3. Remove the air cleaner housing cover (page 109).
4. Remove the battery cover (1).
5. Release the fuse box (2) from the battery holder (3).
6. Remove the battery holder by removing the mount bolt (4).
7. Disconnect the negative (-) terminal lead (5) from the battery (6) first, then disconnect the positive (+) terminal lead (7).
8. Remove the battery.

152 Servicing Your Honda