



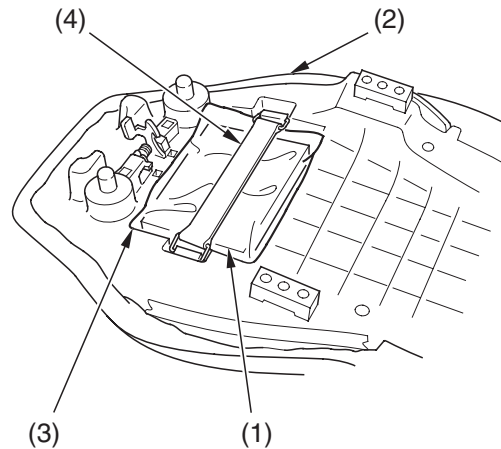
Owner's Manual Storage

Your ATV provides storage for the owner's manual so you'll have it with you for easy reference. Store your owner's manual (1) in the plastic document bag on the underside of the seat (2) (page 88).

The owner's manual should be stored in the plastic document bag (3) and fastened with the rubber band (4).

Be careful not to flood this area when washing your ATV or riding through water.

SEAT UNDERSIDE



(1) owner's manual
(2) seat

(3) plastic document bag
(4) rubber band