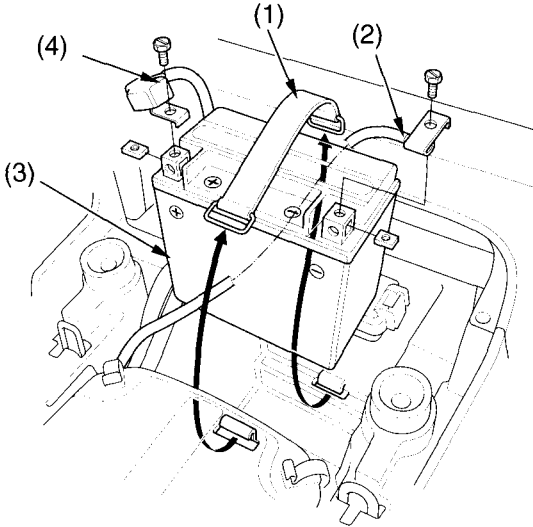


Battery

The battery is located in a compartment under the seat.

UNDER SEAT



- | | |
|----------------------------------|----------------------------------|
| (1) rubber band | (3) battery |
| (2) negative (-) terminal lead | (4) positive (+) terminal lead |

Removal

1. Make sure the ignition switch is OFF (\circ).
2. Remove the seat (page102).
3. Release the rings and remove the rubber band (1).
4. Disconnect the negative (-) terminal lead (2) from the battery (3) first, then disconnect the positive (+) terminal lead (4).
5. Remove the battery.

(cont'd)