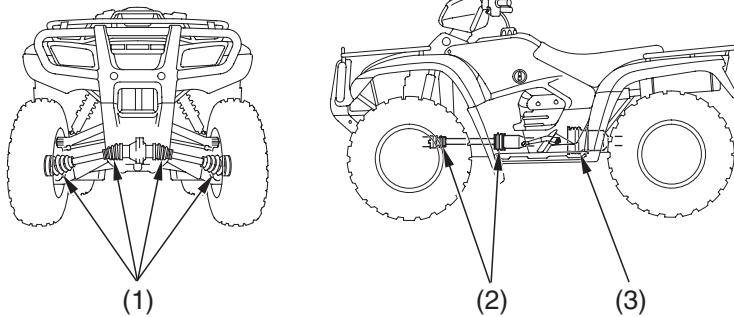




## Drivetrain Boots

Refer to *Safety Precautions* on page 95 .



- (1) rubber driveshaft boots    (2) rubber propeller shaft boots  
(3) yoke joint boot



Check the rubber driveshaft boots (1), rubber propeller shaft boots (2) and rubber yoke joint boot (3) for cuts, damage or leaking grease. If necessary, have your Honda dealer replace them.

