



Riding in Reverse

If you need to ride in reverse, make sure the area behind you is clear and only operate the ATV at low speed.

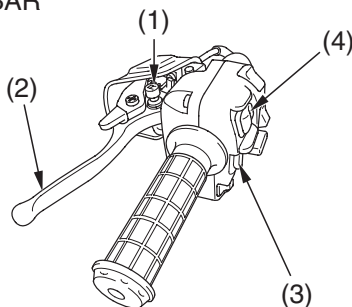
⚠ WARNING

Improperly operating in reverse could cause you to hit an obstacle or person behind you, resulting in serious injury.

Make sure there are no obstacles or people behind you before selecting reverse gear. When it is safe to proceed, go slowly.

1. Bring the vehicle to a complete stop, then make sure the transmission is in neutral.
2. Be sure there are no obstacles or people in the way.
3. While pushing the reverse selector knob (1) in, squeeze the rear brake lever/parking brake lever (2), then press the downshift switch (3) once to shift into "R" (reverse) gear.

LEFT HANDLEBAR



- | | |
|--|----------------------|
| (1) reverse selector knob | (3) downshift switch |
| (2) rear brake lever/
parking brake lever | (4) upshift switch |

(cont'd)