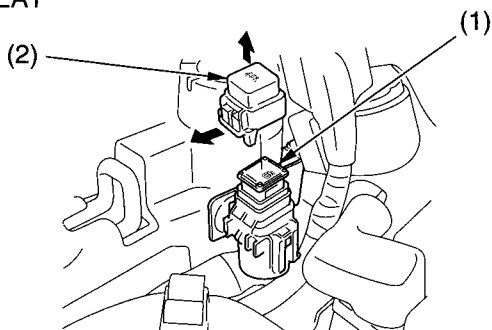


If a Fuse Blows

PS (Electric Power Steering) Fuse Access (TRX500FPE only)

1. Turn the ignition switch OFF (○) before checking the fuse.
2. Remove the seat (page 110).
3. To access the PS fuse (1), remove the PS fuse box cover (2).
If the PS fuse is blown, see your Honda dealer for this service.
4. Install the PS fuse box cover.
5. Install the seat.

UNDER SEAT



(1) PS fuse

(2) PS fuse box cover

If you do not have a spare fuse and you cannot ride the ATV without fixing the problem, take a fuse of the same rating or a lower rating from one of the other circuits that you can do without temporarily.

If you replace a blown fuse with a spare fuse that has a lower rating, replace the fuse with the correct rating as soon as you can. Also remember to replace any spare fuses that were installed.

If the replacement fuse of the same rating burns out in a short time, there is probably a serious electrical problem on your ATV. Leave the blown fuse in that circuit and have your ATV checked by your Honda dealer.