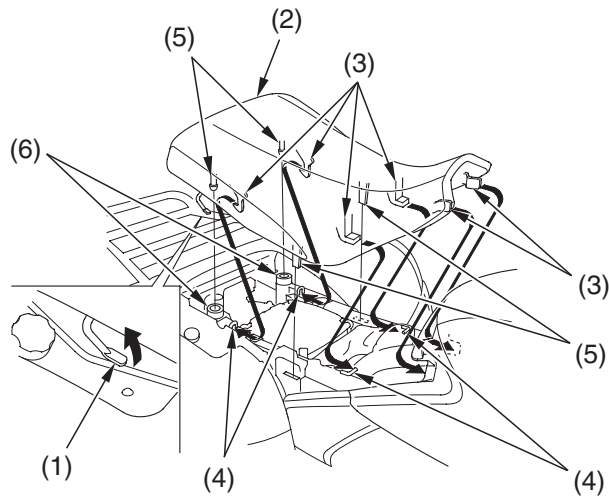




Seat Removal

Refer to *Safety Precautions* on page 147.

The seat must be removed for the air cleaner, spark plug, battery and fuse maintenance and to access the owner's manual and tool kit.



- | | |
|---------------------|--------------|
| (1) seat lock lever | (4) hooks |
| (2) seat | (5) studs |
| (3) prongs | (6) grommets |

Removal

1. Pull the seat lock lever (1) at the right side of the seat.
2. Slide the seat (2) back and lift it.

Installation

1. Insert the prongs (3) into the hooks (4) on the frame and press the studs (5) into the grommets (6).
2. Press down on the seat until locks.

158 Servicing Your Honda

