

# Brakes

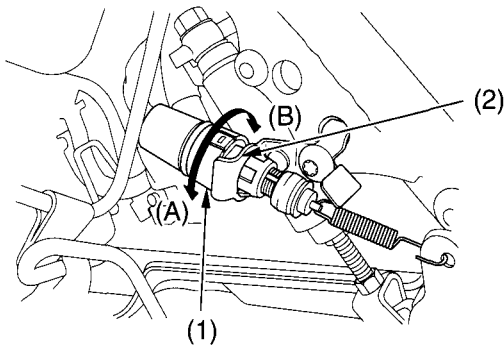
## Brakelight Switch Adjustment

Refer to *Safety Precautions* on page 71 .

### Rear Brake Only:

Check the operation of the rear brakelight switch ( 1 ) at the right side behind the engine from time to time. Remove the right side mudguard ( see page 133 ). Adjustment is done by turning the adjusting nut ( 2 ). Turn the nut in direction ( A ) if the switch operates too late and in direction ( B ) if the switch operates too soon.

### RIGHT SIDE



(1) brakelight switch

(2) adjusting nut