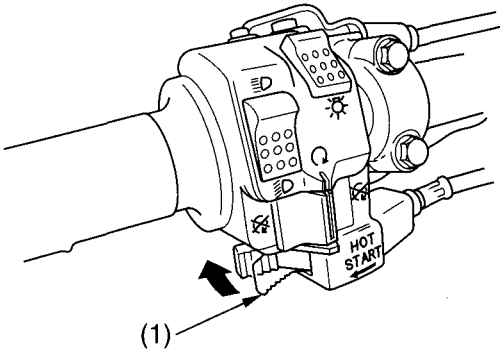


# Controls & Features

---

## Hot Start Lever

### LEFT HANDLEBAR



(1) hot start lever

The hot start lever may be used when starting a warm engine. See page 47.