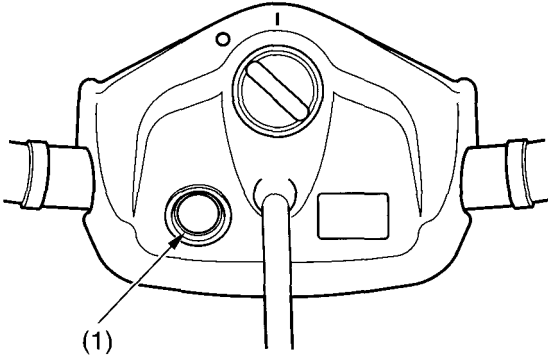


High Coolant Temperature Indicator

CENTER OF HANDLEBAR



(1) high coolant temperature indicator

Lights when engine coolant temperature is high enough to adversely affect the service life of the engine.

If the high coolant temperature indicator comes on while you are riding, immediately bring the vehicle to a stop, turn the engine off and let it cool. See page 176.

Lamp Check

The engine is started when you operate the kickstarter, you can see the indicator comes on at the same time. If the engine is running, the indicator will go off after a few seconds. If the engine is stopping, the indicator will go off at the same time.