

## Off-Road Only

Your FOURTRAX is designed and manufactured for off-road use only, not for pavement. Riding on pavement can affect handling and control. You should not ride your FOURTRAX on pavement.

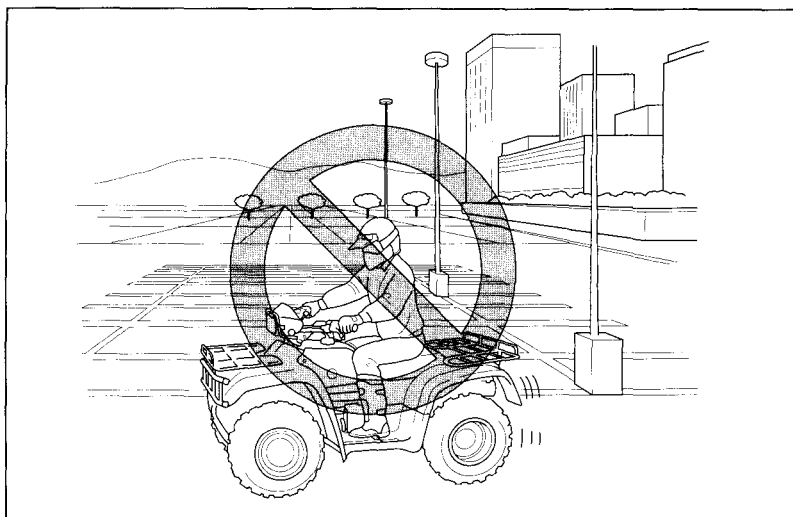


Fig. 3-3

Never ride on paved surfaces.

## **⚠ WARNING**

### **POTENTIAL HAZARD**

Operating this ATV on paved surfaces.

### **WHAT CAN HAPPEN**

The ATV and its tires are designed for off-road use only, not for use on pavement. Paved surfaces may seriously affect handling and control of the ATV, and may cause the vehicle to go out of control.

### **HOW TO AVOID THE HAZARD**

Never operate the ATV on any paved surfaces, including sidewalks, driveways, parking lots and streets.