

Starter Button

The starter button (Fig. 2-8) is below the headlight switch (2). To start the engine, press the starter button (1), with the transmission in neutral, the ignition switch ON (I) and the engine stop switch (3) at RUN (O).

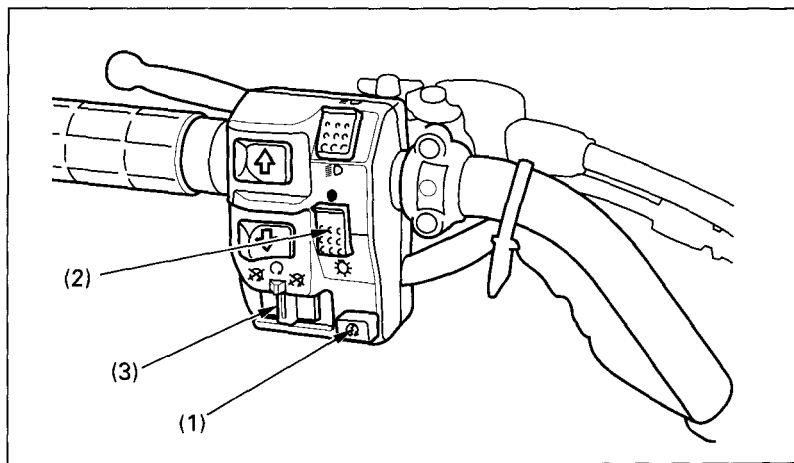


Fig. 2-8

(1) Starter button
(2) Headlight switch

(3) Engine stop switch