

FUSE

As illustrated in Fig. 4-20, the main fuse (1), main fuse (electric shift motor) (2) and the sub fuses (3) are located in the battery compartment.

The specified main fuse is:

30 A , 30 A (Electric shift motor)

The specified sub fuses are:

15 A × 2, 10 A × 2

If a fuse fails frequently, it usually indicates a short circuit or an overload in the electrical system. See your authorized Honda dealer for repair.

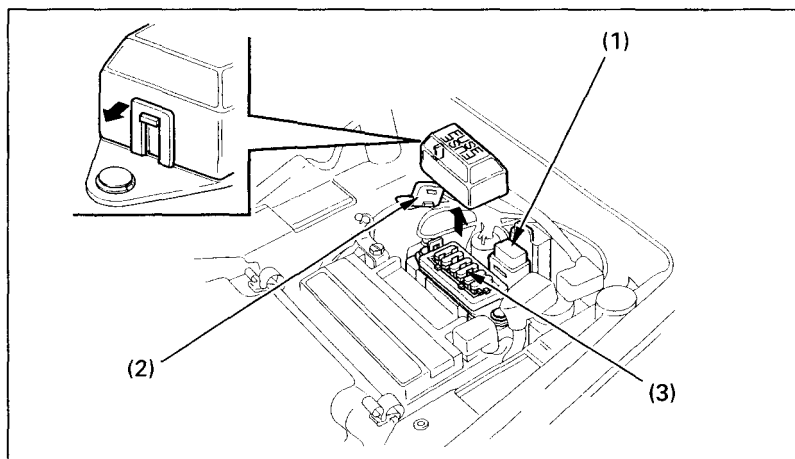


Fig. 4-20 (1) Main fuse (3) Sub fuses
(2) Main fuse (Electric shift motor)

To replace the main fuse:

1. Make sure the ignition switch is ○ (OFF).

CAUTION:

Turn the ignition switch ○ (OFF) before checking or replacing the fuse to prevent accidental short-circuiting which could damage the electrical system.