

- (29) Accessory socket
- (30) Fuel valve
- (31) Starting primer knob
- (32) Storage compartment, containing:
 - Tool kit
 - Air pressure gauge
 - Owner's Manual
 - Gear change tool
- (33) Oil filler cap/dipstick
- (34) Left footpeg
- (35) Trailer hitch

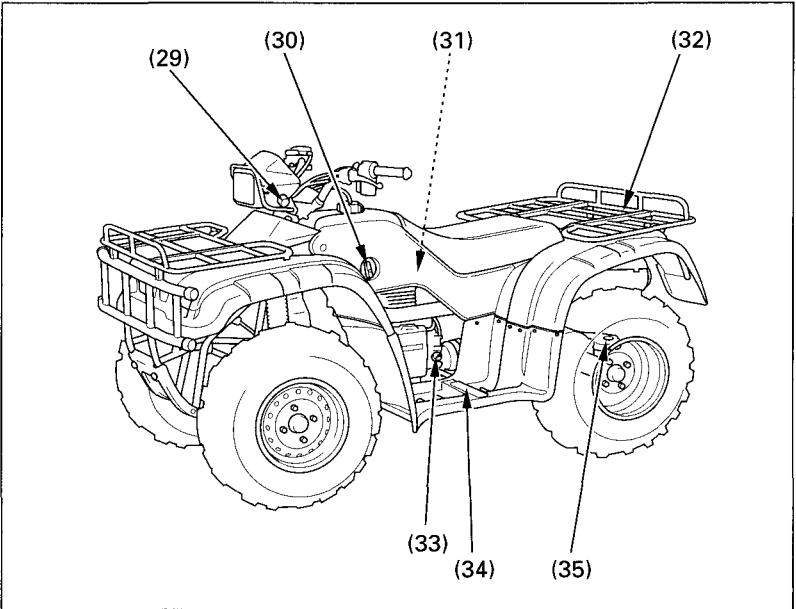


Fig. 2-4

Left side of FOURTRAX