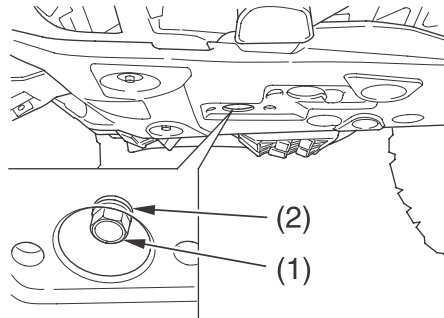




Engine Oil & Filter

- Place an oil drain pan under the crankcase and remove the engine oil drain bolt (1) and sealing washer (2).

UNDER ENGINE



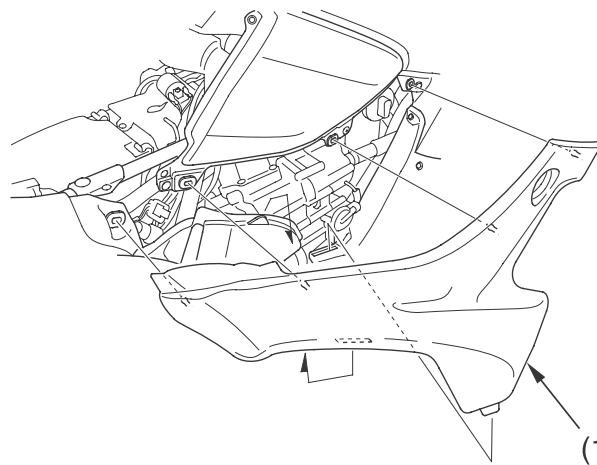
(1) engine oil drain bolt (2) sealing washer

Install a New Engine Oil Filter:

Place shop towels under the oil filter cover because oil will flow out.

- Remove the seat (page 100).
- Unsnap and remove the right side cover (1).

RIGHT SIDE



(1) right side cover

(cont'd)

