

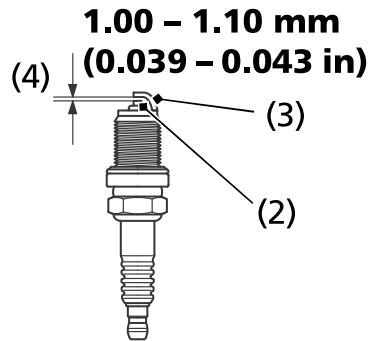
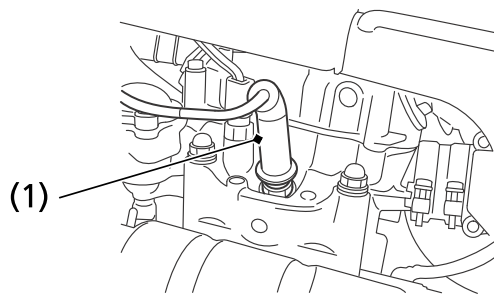
Spark Plug

7. Using a wire-type feeler gauge, check the spark plug gap (4). If adjustment is necessary, bend the side electrode carefully.

The gap should be:

1.00 – 1.10 mm (0.039 – 0.043 in)

LEFT SIDE



(1) spark plug cap
(2) centre electrode

(3) side electrode
(4) spark plug gap

8. With the plug washer attached, thread the spark plug in by hand to prevent cross-threading.

9. Tighten the spark plug:

- If the old plug is good:
 - 1/8 turn after it seats.
- If installing a new plug, tighten it twice to prevent loosening:
 - a) First, tighten the plug:
 - NGK: 3/4 turn after it seats.
 - DENSO: 1/2 turn after it seats.
 - b) Then loosen the plug.
 - c) Next, tighten the plug again:
 - 1/8 turn after it seats.