

## LIGHTS

### Headlight and Dimmer Switches

The headlight and dimmer switches (Fig. 2-12) are above the engine stop switch, next to the left handgrip.

Turning the headlight switch (1) ON (☼) turns the headlight and assist headlight on. Use the dimmer switch (2) to select either high beam HI (≡D) or low beam LO (≡D) for the headlights.

The dimmer switch will not change the assist headlight beam.

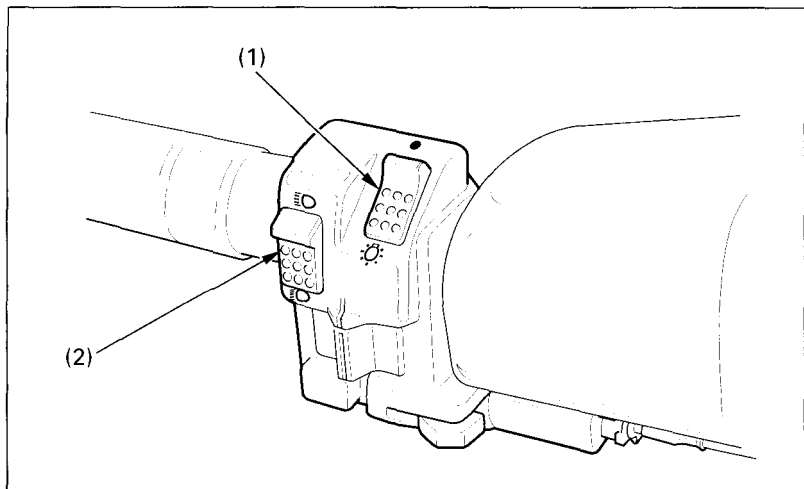


Fig. 2-12 (1) Headlight switch

(2) Dimmer switch

### Oil High Temperature Indicator Lamp

If the engine oil gets too hot, the oil high temperature indicator lamp (Fig. 2-13) will light.

#### NOTE:

The oil high temperature indicator lamp should come on when the ignition switch is turned ON ( I ). This is not a problem. The light should go off a few seconds after the engine is started.

#### CAUTION:

**If the light does not come on with ignition switch ON ( I ): check the bulb and replace it if it is burned out.**

**Contact your authorized Honda dealer for assistance if you cannot correct the problem.**