

## CARBURETOR

### Choke Cable and Lever

Check the condition of the choke cable (Fig. 4-8) and the operation of the choke lever (2). If the cable is damaged or kinked, have it replaced by your Honda dealer.

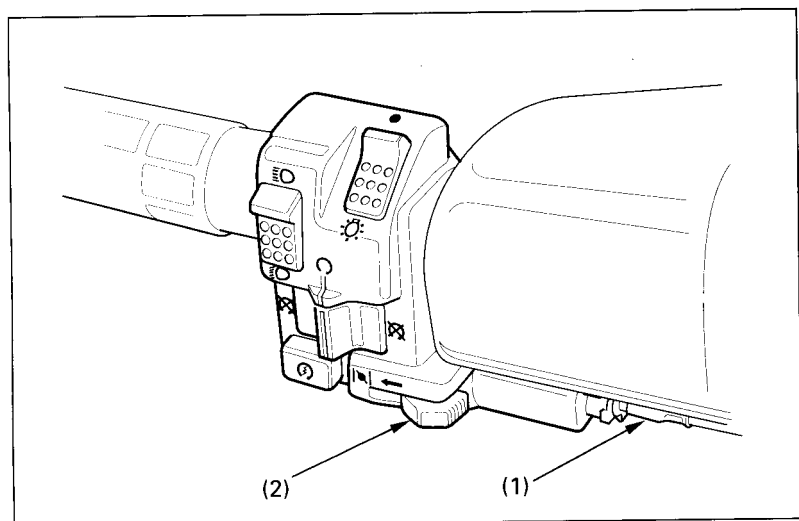


Fig. 4-8 (1) Choke cable (2) Choke lever

### Adjusting Idle Speed and Air-Fuel Mixture

#### NOTE:

Do not try to compensate for faults in other systems by adjusting the carburetor.

Before adjusting the idle speed and air-fuel mixture, unsnap the right side cover. (Fig4-9 )

#### To adjust the idle speed:

1. Warm up the engine. The engine must be warm for accurate idle adjustment. Ten minutes of stop-and-go riding is sufficient.
2. Adjust idle speed and turning the throttle stop screw (Fig. 4-9).

Idle Speed:

$1,400 \pm 100 \text{ min}^{-1} (\text{rpm})$