

7. Soak the air cleaner in clean gear oil (SAE 80–SAE 90) or an equivalent until saturated, then squeeze out the excess oil.

CAUTION:

Twisting the air cleaner when squeezing out excess oil could damage the air cleaner.

8. Reassemble by reversing the disassembly sequence.

Dust cover

Do not push the dust cover (1) (Fig. 4-6) into the air cleaner housing (2). If the dust cover is dirty, clean it.

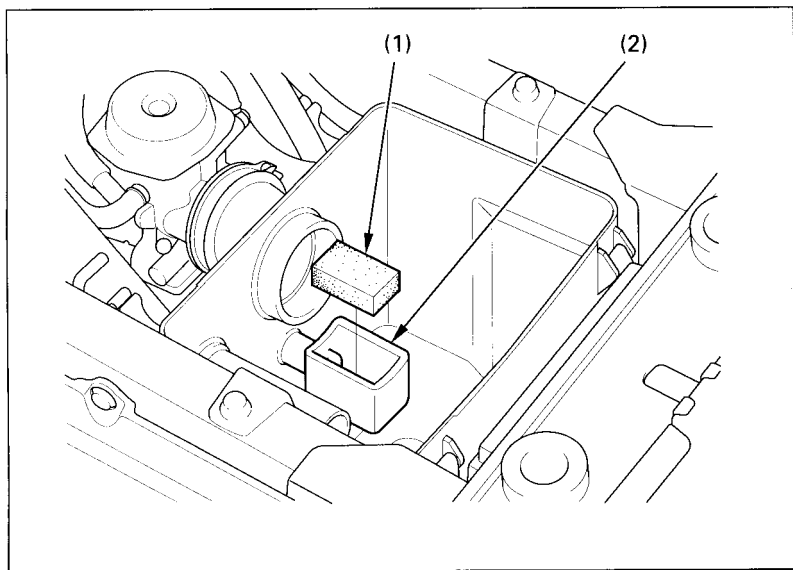


Fig. 4-6

- (1) Dust cover
- (2) Breather joint