

### High Air Temperature

35 °C (95 °F) or above

1. Do not use the choke.
2. With the throttle slightly open, press the starter button (1).

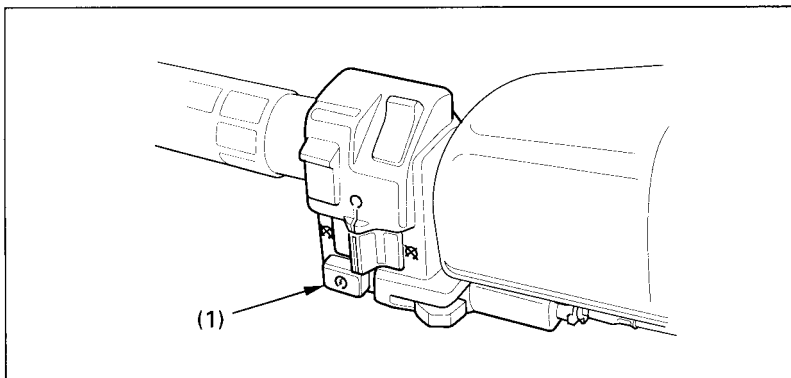


Fig. 3-10

(1) Starter button

### Low Air Temperature

10 °C (50 °F) or below

1. Follow the procedure for "Normal Air Temperature".

#### NOTE:

When air temperature is below  $-15\text{ °C}$  ( $5\text{ °F}$ ), push the starting primer knob two or three times (page 18).

#### CAUTION:

- \* **Extended use of the choke may impair piston and cylinder wall lubrication and shorten the life of the engine.**
- \* **Do not race the engine during the warm-up period.**  
**Racing a cold engine wastes fuel and increases engine wear.**

If the engine doesn't start after pushing the starter button several times, use the recoil starter.