

FRONT SUSPENSION

The front shock absorbers (1) have five adjustment positions for different rider weights and riding conditions.

Position I and II are for light weight and smooth ground conditions. Positions II to V progressively increase spring tension for a stiffer suspension. Be certain to adjust each shock absorber to the same position.

STANDARD POSITION: IV

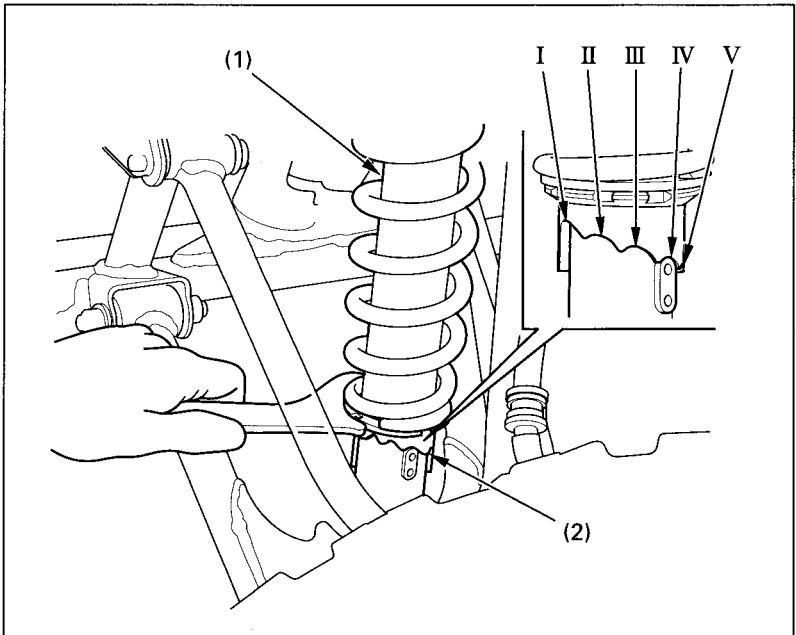


Fig. 2-17

(1) Shock absorber
(2) Adjuster