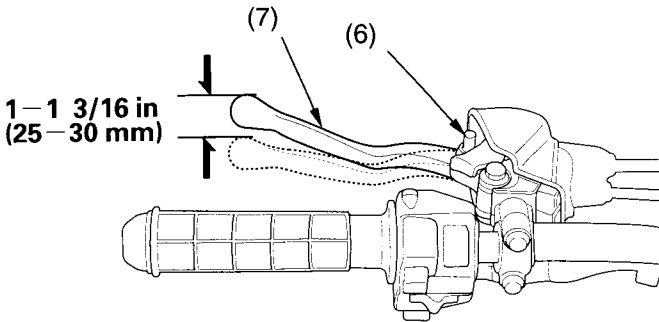


# Brakes

---

5. Push down the parking brake pin (6) and then squeeze the clutch lever (7) until firm resistance is felt. Measure the distance the clutch lever has moved; the distance should be:  
 $1 - 1 \frac{3}{16}$  in (25 – 30 mm)
6. If necessary, turn the adjuster (2) and tighten the lock nut (1).  
Adjust the clutch lever free play (page 100) is:  
 $\frac{3}{8} - \frac{13}{16}$  in (10 – 20 mm)

## LEFT HANDLEBAR



- (6) parking brake pin  
(7) clutch/parking brake lever