

Spark Arrester

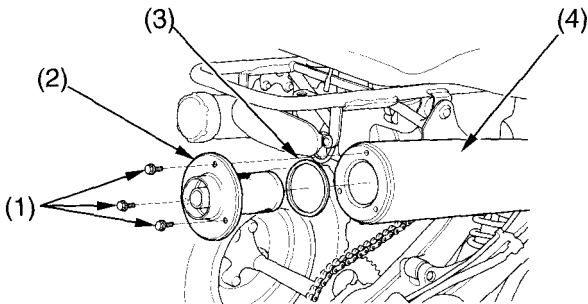
Refer to *Safety Precautions* on page 71.

Regular servicing prevents carbon build up (which can diminish engine performance) and also complies with USDA regulations for regular maintenance to assure proper function. The spark arrester prevents random sparks from the combustion process in your engine from reaching the environment.

The use of safety glasses is recommended for this procedure.

Because of the possible fire hazard, check that there are no combustible materials in the area before purging the spark arrester.

REAR



(1) bolts

(2) spark arrester

(3) gasket

(4) muffler

1. Allow the engine and muffler to cool.

Remove the three bolts (1), the spark arrester (2), and the gasket (3) from the muffler (4).

(cont'd)